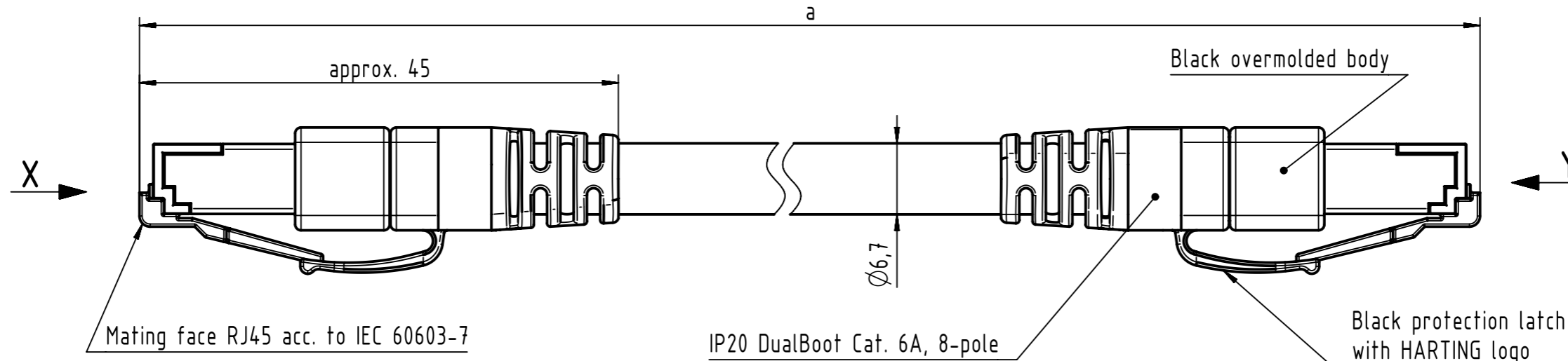
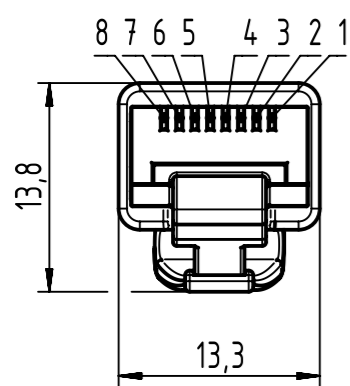


Connector Location A

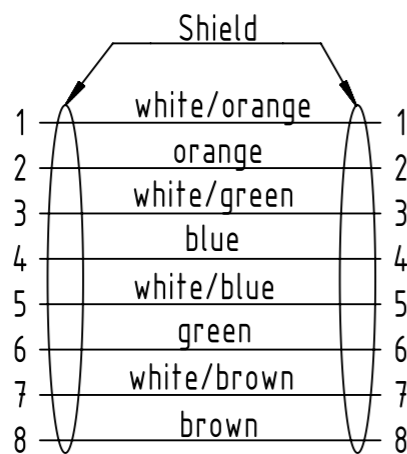
Connector Location B



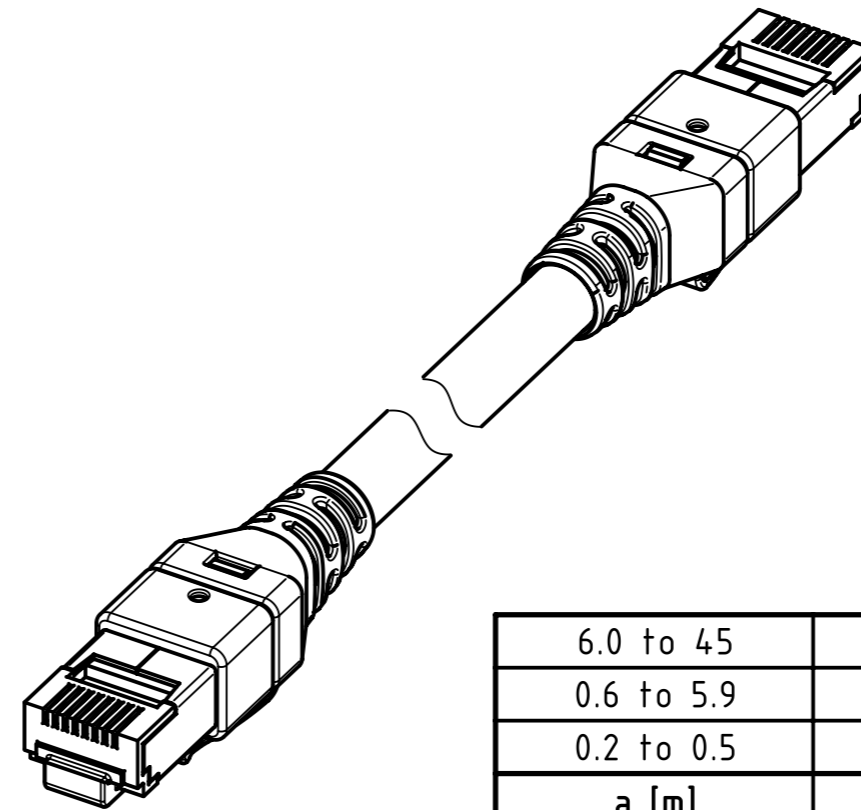
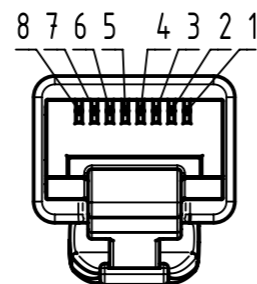
X
male



Loading-Plan
acc. to TIA/EIA 568B



Y
male



6.0 to 45	±1%
0.6 to 5.9	+0.04
0.2 to 0.5	+0.02
a [m]	Tolerance

length in "1m" step	45	XXX=450
	44	XXX=440
	.	.
	12	XXX=120
length in "0.1m" step	11	XXX=110
	10	XXX=100
	9.9	XXX=099
	9.8	XXX=098
	.	.
	0.5	XXX=005
	0.4	XXX=004
	0.3	XXX=003
	0.2	XXX=002
Step	a [m]	XXX

NOTE:

For lengths < 1.0m:

- relative positioning of the connectors to each other shall be as presented in the drawing, however with an admissible angular deviation around cable axis of ± 30°

For lengths ≥ 1.0m:

-relative positioning of the connectors to each other not obligatory

- Temperature range: -40°C +80°C

RJ45 Cable 8xAWG 26/7, stranded,
PUR, Cat. 6A, grey

09484747743XXX

Type of cable

Part no.

	All rights reserved	Created by STOCHECIC Stocheici	Inspected by COSTEA Costea	Standardisation MUNTEANV Muntean	Date 2018-11-22	State Final Release
	Department HCS - RO	Title RJ45 DB Cat6a Cable Assembly PUR grey				Doc-Key / ECM-Nr. 100802328/UGD/024/B 500000143802
HARTING Customised Solutions D-32339 Espelkamp		Type TB	Number 09484747743XXX		Rev. B	Page 1/1