

# Theia<sup>®</sup>

## TECHNOLOGIES

### MY125M Lens

### Ultra wide - Multi Megapixel - No Distortion



- ❖ **Ultra wide** field of view sees the complete image while the operator can digitally pan-tilt-zoom (dPTZ)
- ❖ Patented Linear Optical Technology™ enables a rectilinear lens with very **low distortion** for maximum resolution
- ❖ Supports **multi megapixel** resolution cameras for demanding applications
- ❖ **Pan focus** keeps near and far objects continuously in focus without lens adjustment

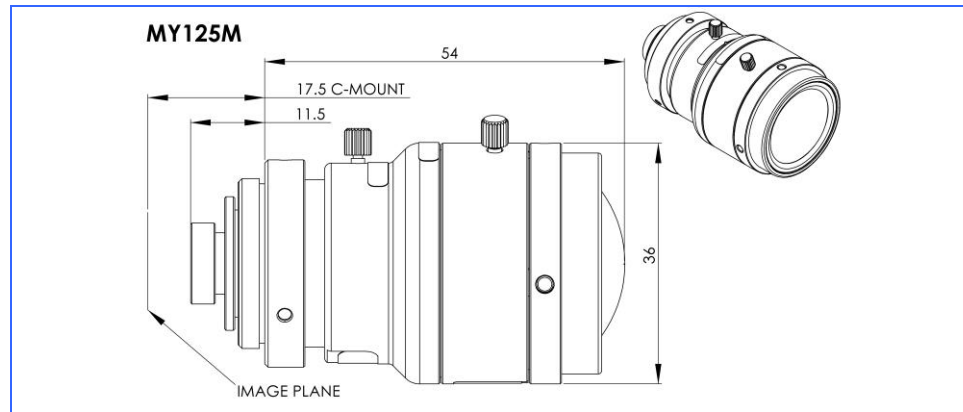


Typical wide angle lens

Lenses	MY125M machine vision C-mount manual iris lens		
Sensor size	1/4"	1/3"	1/2.5" *
Field of view (H)	109°	125°	135°
Field of view (V)	93°	109°	119°
Field of view (D)	122°	137°	141°

\*Some vignetting may occur using a 1/2.5" sensor depending on sensor mechanical tolerance.

Lenses	<b>MY125M</b> machine vision C-mount manual iris
Focal length	1.3 mm
F/#	F/1.8 to closed
Resolution	Up to 5 megapixels
Distortion (H)	<3% barrel (for 1/3" sensor)
Pan-focus distance	.3m to $\infty$
Minimum Object Distance	10cm



Theia Technologies, in cooperation with Nittoh Kogaku K.K., Suwa, Japan

**For further information contact:** **Theia Technologies**  
 info@TheiaTech.com  
[www.TheiaTech.com](http://www.TheiaTech.com)  
 Phone: 503-570-3296