

SL410 Lens 4K Resolution Day/Night lenses up to 1/1.7" sensors

- ✓ **Ultra high resolution for 4K cameras**, up to 12.4 megapixel
- ✓ Available in DC **auto-iris**, **P-iris**, and **manual iris** versions
- ✓ **Non-motorized version**, Fully motorized versions available with combinations with zoom, focus, iris, IR cut, limit switch
- ✓ IR corrected for true **Day/Night** cameras
- ✓ **Compact design** to fit into domes as small as 4" mini-dome size
- ✓ **CS-mount** as well as C-mount
- ✓ Used for sensor sizes 1/2.5", 1/2.3", 1/2", 1/1.8", and **up to 1/1.7"** (Sony IMX178, Sony IMX226 for example)

SL410 lens family specifications

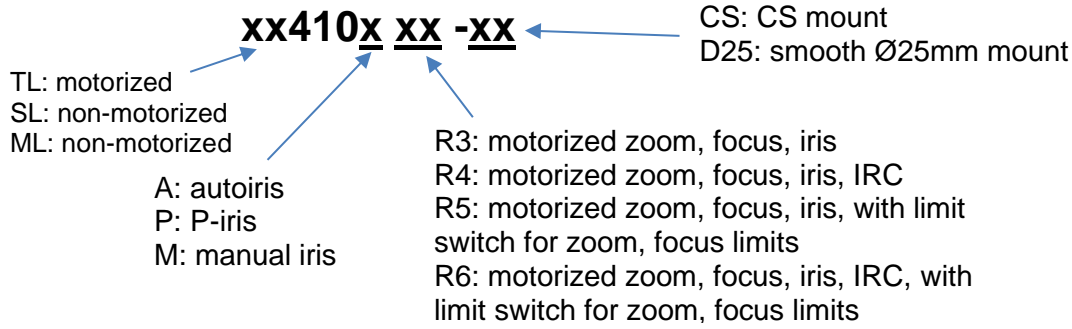
Lens	SL410A	SL410P	SL410M	ML410M
Mount type	CS-mount	CS-mount	CS-mount	C-mount
Iris type	DC autoiris	P-iris	Manual iris	Manual iris
Focal length	4-10mm			
Image circle	Ø9.4mm			
Resolution	12.4 megapixel			
F/#	F/1.4 @ 4mm – F/2.4 @ 10mm to close			
Focus Range	0.5m to infinity			
IR Correction	Day/Night			
Lens length	< 64mm TTL			
Weight	69-78g (depending on version)			
Operating temperature	-20C to 60C (<70% humidity, non-condensing)			
Storage temperature	-30C to 70C (<90% humidity, non-condensing)			

Field of view for sensor sizes

Sensor size	1/1.7"	1/1.8"	1/1.8" 4K*	1/2"	1/2.3"	1/2.5"
Horizontal	112° - 44°	110° - 43°	110° - 43°	93° - 37°	90° - 36°	83° - 33°
Vertical	81° - 33°	71° - 29°	52° - 21°	68° - 28°	67° - 27°	60° - 25°
Diagonal	149° - 55°	139° - 52°	126° - 48°	120° - 46°	117° - 45°	106° - 42°

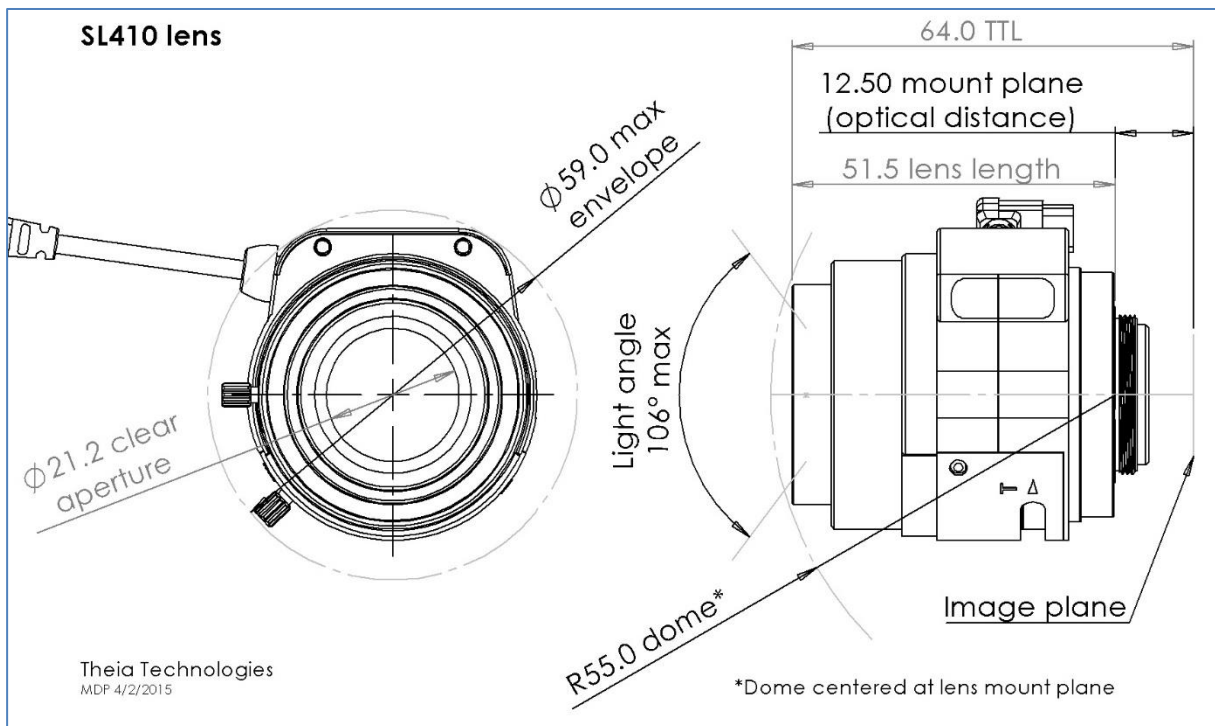
*4K format = 4000 x 2000 pixels

Lens designation



Production versions: (call for other versions)
 SL410M (manual lens, manual iris, CS mount)
 SL410A (manual lens, DC autoiris, CS mount)
 SL410P (manual lens, P-iris, CS mount)
 ML410M (manual lens, manual iris, C mount)
 TL410A R6-CS (fully motorized, DC autoiris lens)
 TL410P R6-CS (fully motorized, P-iris lens)
 TL410P R6-25 (fully motorized, P-iris, D25 mount)

Other versions are available by special request and may be added to regular production



For more information contact
Theia Technologies

info@TheiaTech.com
www.TheiaTech.com
 +1-503-570-3296