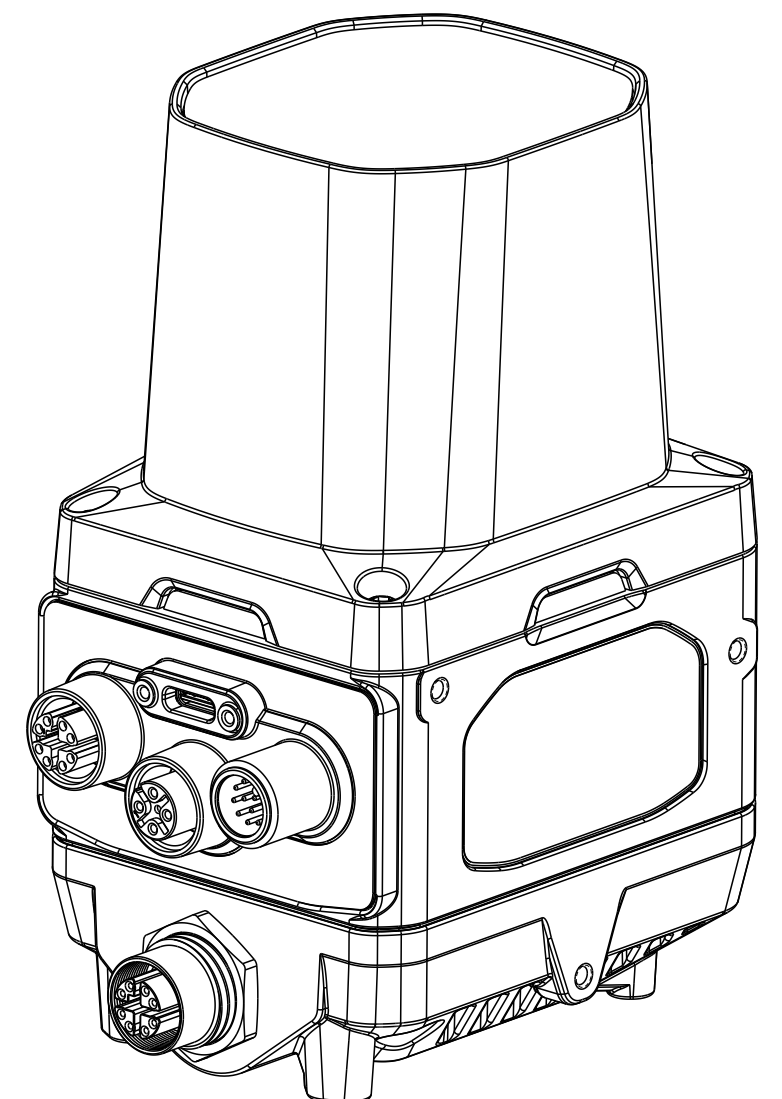
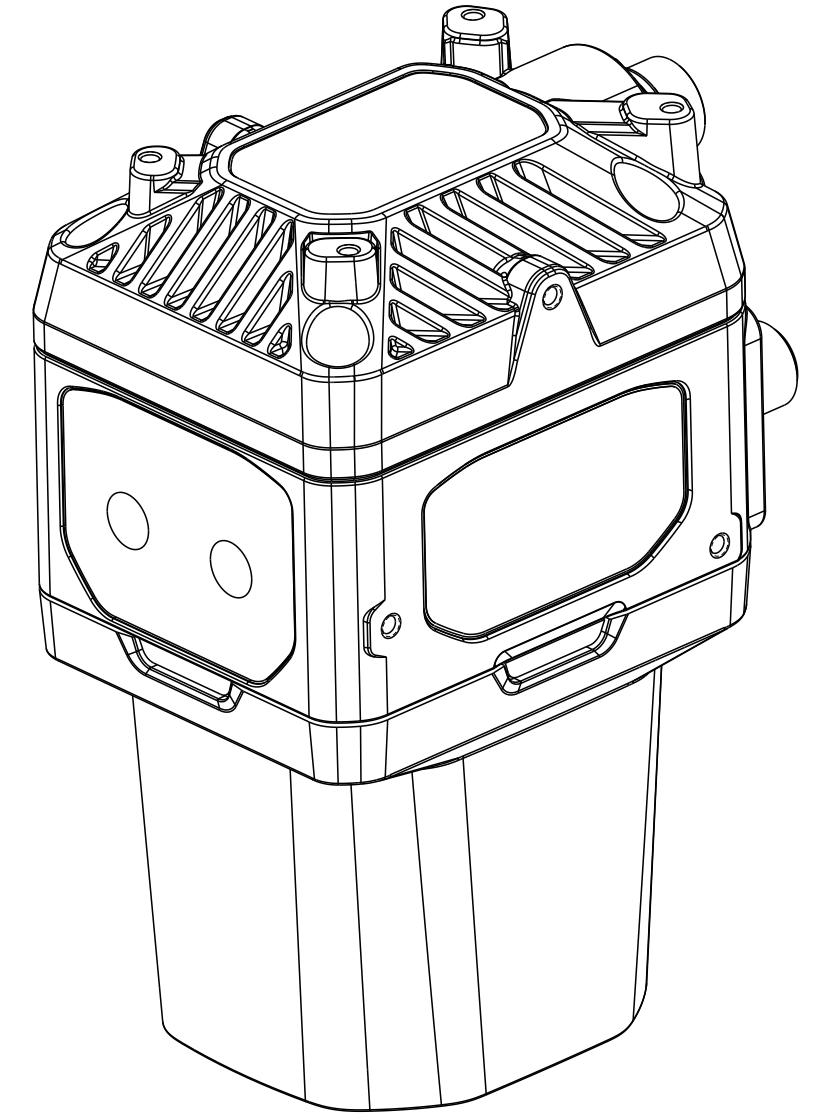


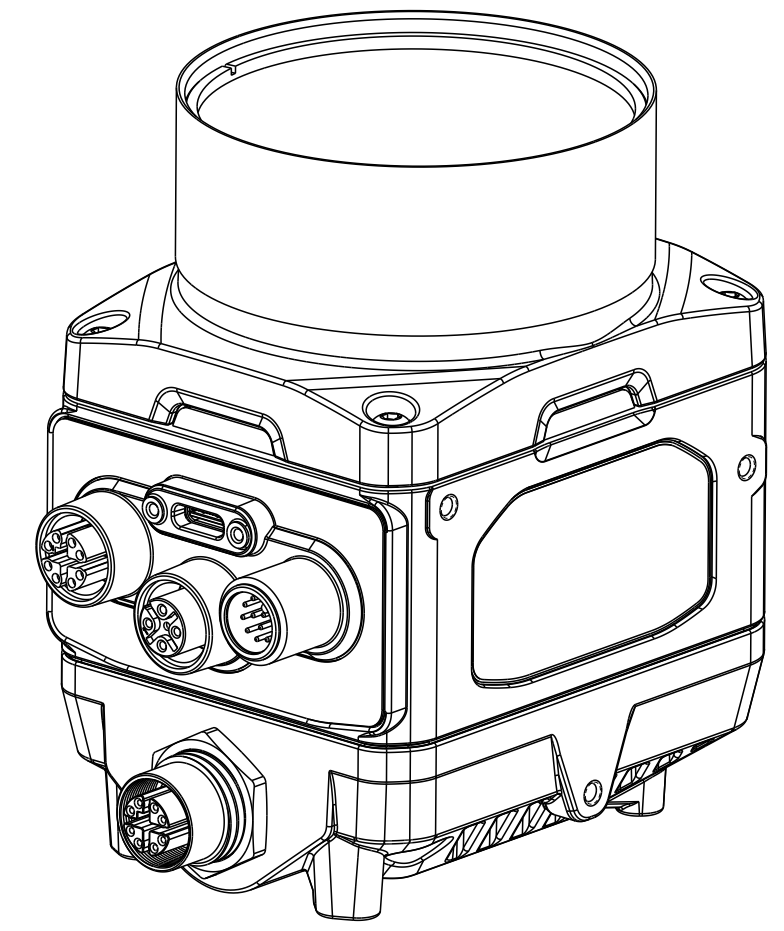
REVISION	REV DATE	ECO NUMBER	REVISED BY
1	Feb-18-2021	EC-44101	Trongone, Eric
RELEASED PER EC			
-			
-			



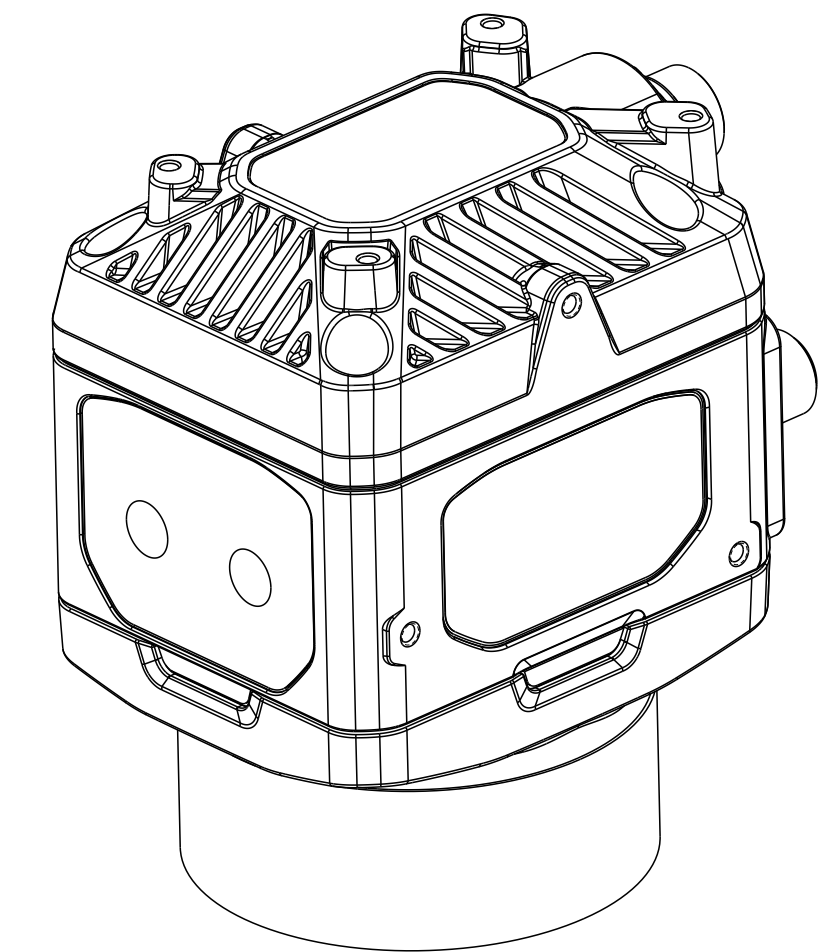
SCALE: 1.00



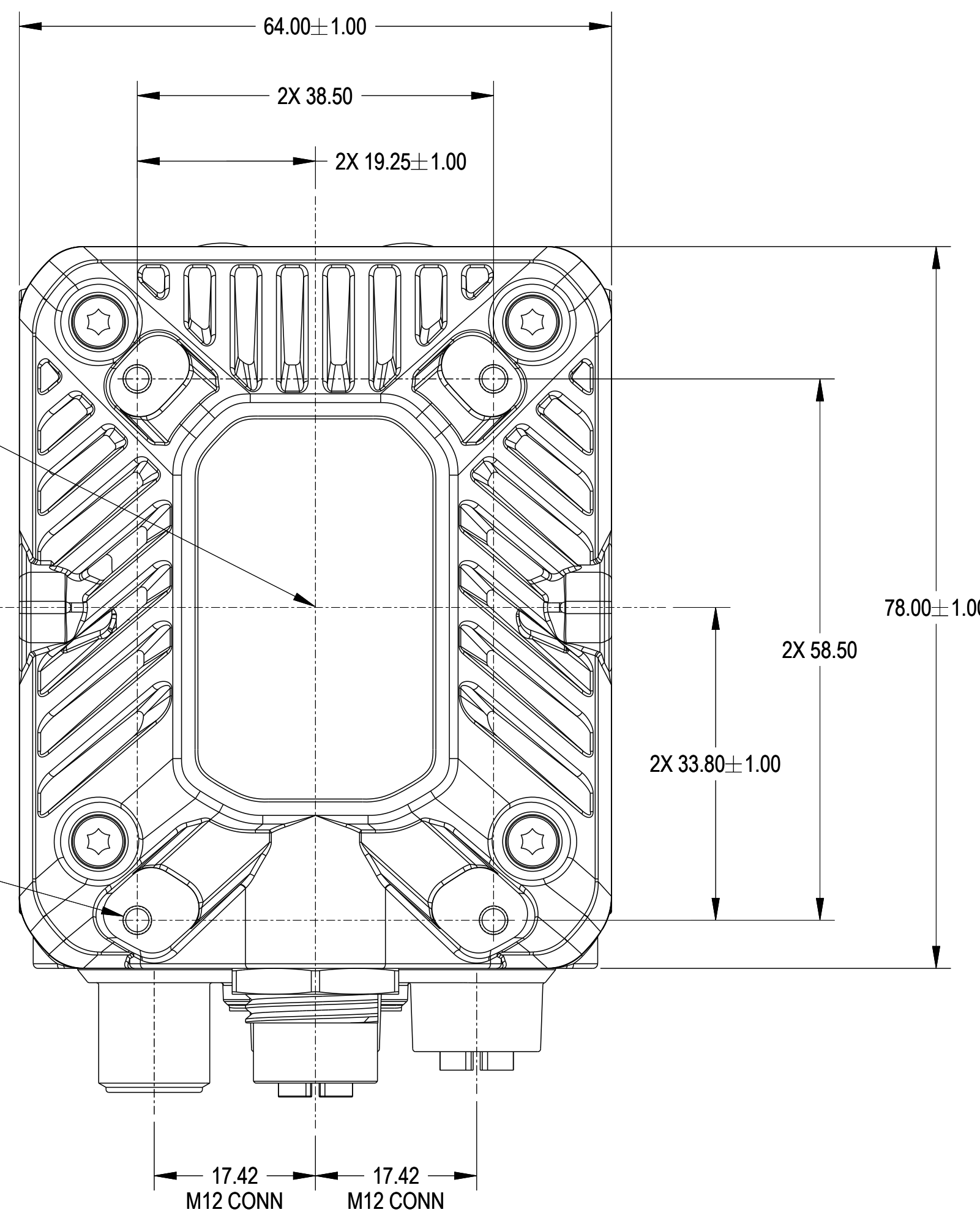
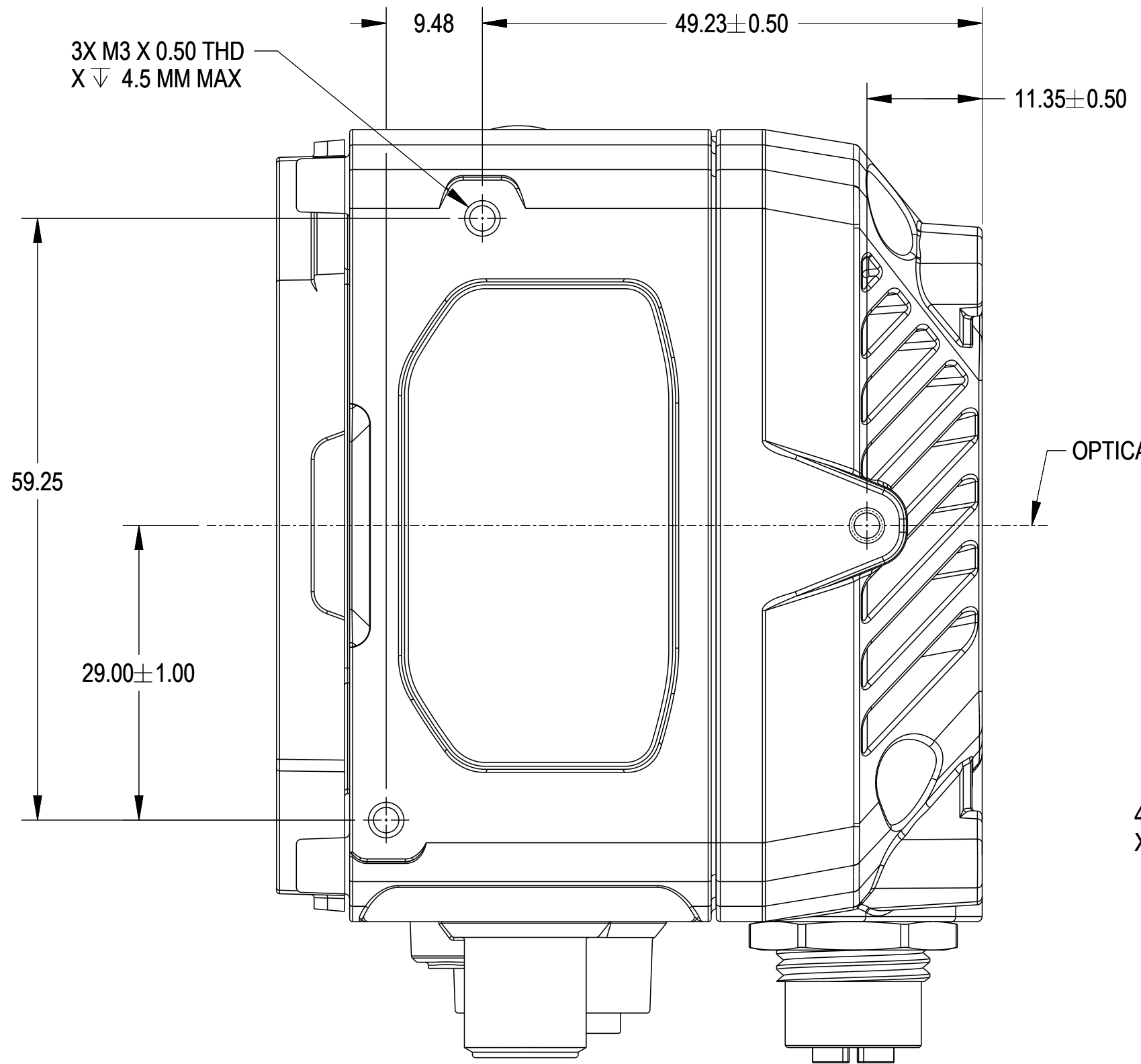
SCALE: 1.00



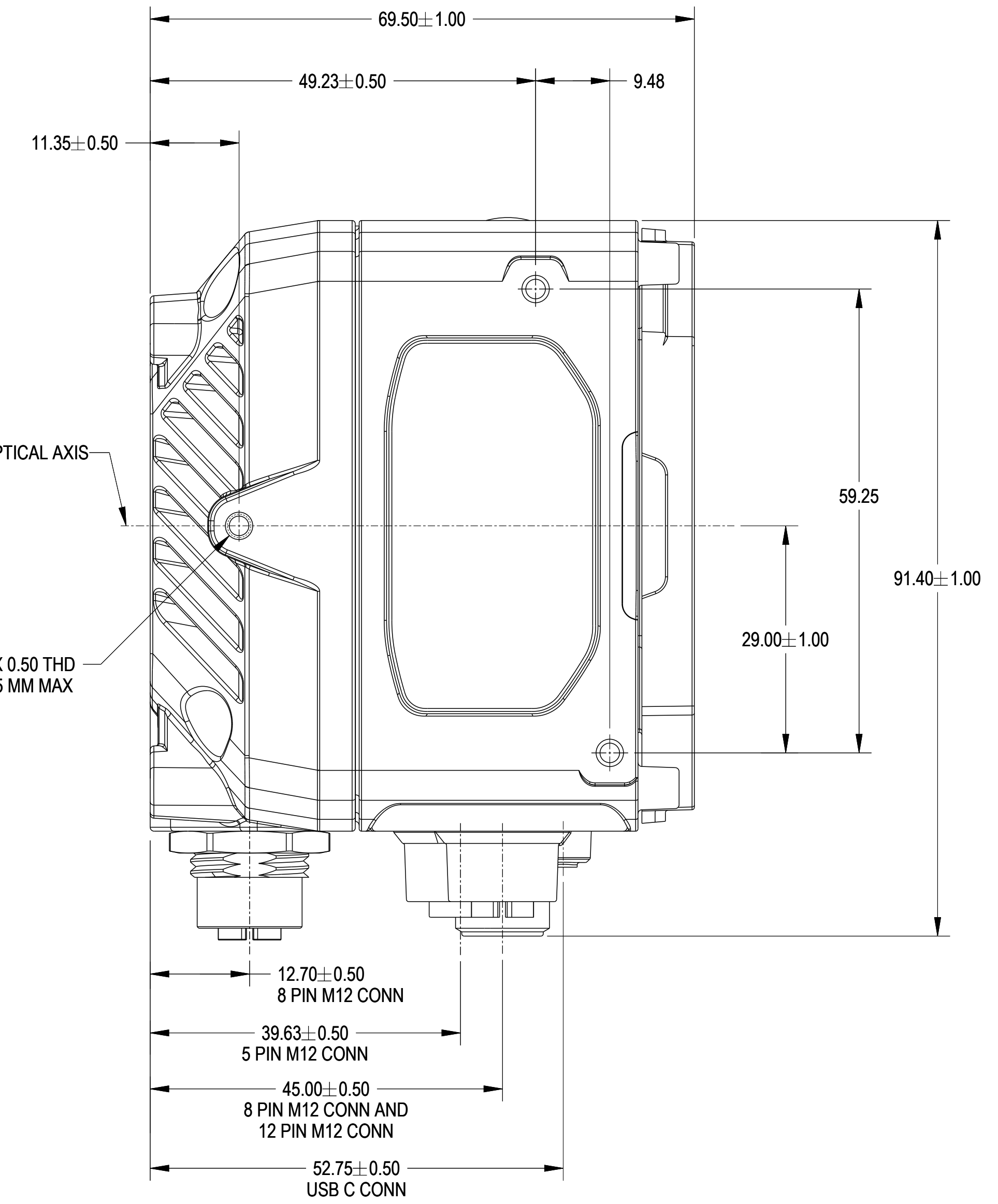
SCALE: 1.00



SCALE: 1.00



SCALE: 2.00



NOTES: UNLESS OTHERWISE SPECIFIED NOTES:

- DIMENSIONS SHOWN ARE NOMINAL. REFER TO TOLERANCE TABLE IN LOCATION A2 IF DIMENSIONS ARE NOT TOLERANCED.
- DEPTH OF THREADED HOLES SHOWN REPRESENT THE MAXIMUM USABLE TAP DEPTH. FASTENERS MUST BE CONSIDERED TO NOT EXCEED THE SPECIFIED MAXIMUM THREAD DEPTH INTO THE DEVICE.
- RECOMMENDED MOUNTING TORQUE: 6 IN-LBS.

RoHS COMPLIANCE THIS PART/ASSEMBLY TO COMPLY WITH ZEBRA TECHNOLOGIES MATERIAL CONTENT POLICY NUMBER CP2-CE-010. ANY MATERIAL OR PROCESS CHANGE AFFECTING COMPLIANCE WITH THIS POLICY MUST BE COMMUNICATED TO AND APPROVED BY ZEBRA TECHNOLOGIES PRIOR TO MAKING THE ACTUAL CHANGE.		ENCIRCLED DIMENSIONS INDICATE CRITICAL-TO-FUNCTION FEATURES		DIMENSIONS ARE IN Metric (mm)		VIEW PROJECTION FIRST ANGLE		DO NOT SCALE DRAWING	
Material N/A		Finish / Color N/A		INTERPRET PER ASME Y14.5M-1994		TOLERANCES UNLESS OTHERWISE SPECIFIED X = ± 1 X = ± 0.50 XX = ± 0.25 ANGLES = ± 0.5°		DETAIL: MOUNTING XS70	
CONFIDENTIAL AND PROPRIETARY THE INFORMATION CONTAINED HEREIN IS THE CONFIDENTIAL AND THE EXCLUSIVE PROPERTY OF ZIH CORP. THIS DOCUMENT AND THE INFORMATION CONTAINED HEREIN SHALL NOT BE COPIED, REPRODUCED, PUBLISHED, DISPLAYED OR DISTRIBUTED, IN WHOLE OR IN PART, IN ANY MEDIUM BY ANY MEANS, FOR ANY PURPOSE WITHOUT THE EXPRESS WRITTEN CONSENT OF ZIH CORP. © ZIH CORP. 2017 ALL RIGHTS RESERVED		Specifications SEE NOTES Created By Tunjian, Craig		Create Date Feb-17-2021		Size D		Revision 1	
Model Name: ASSY_TOP_XS70 - L19 Drawing Name: PD-000447-XX - 1.1		Scale: 2.00		Sheet: 1 OF 1					